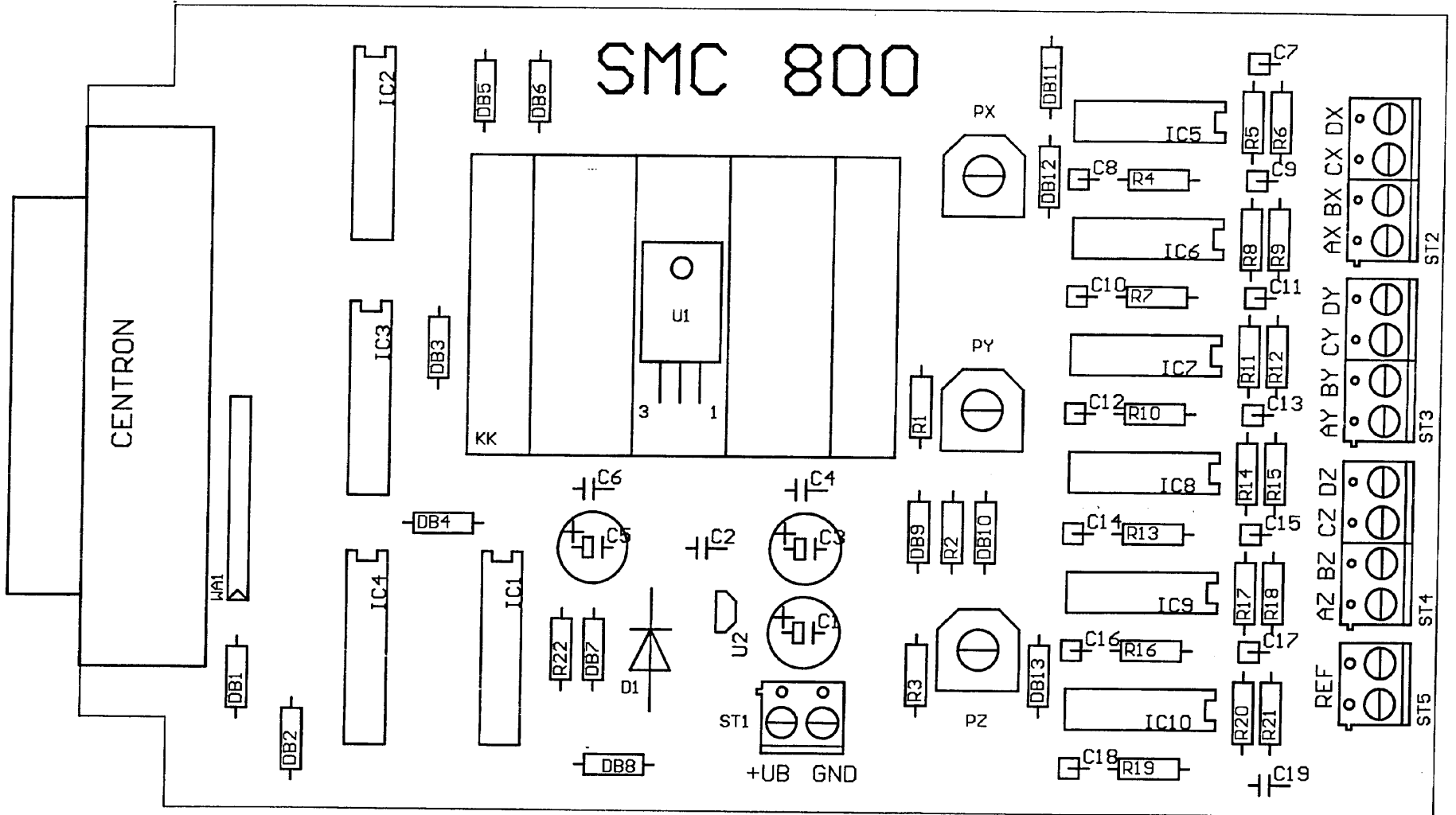
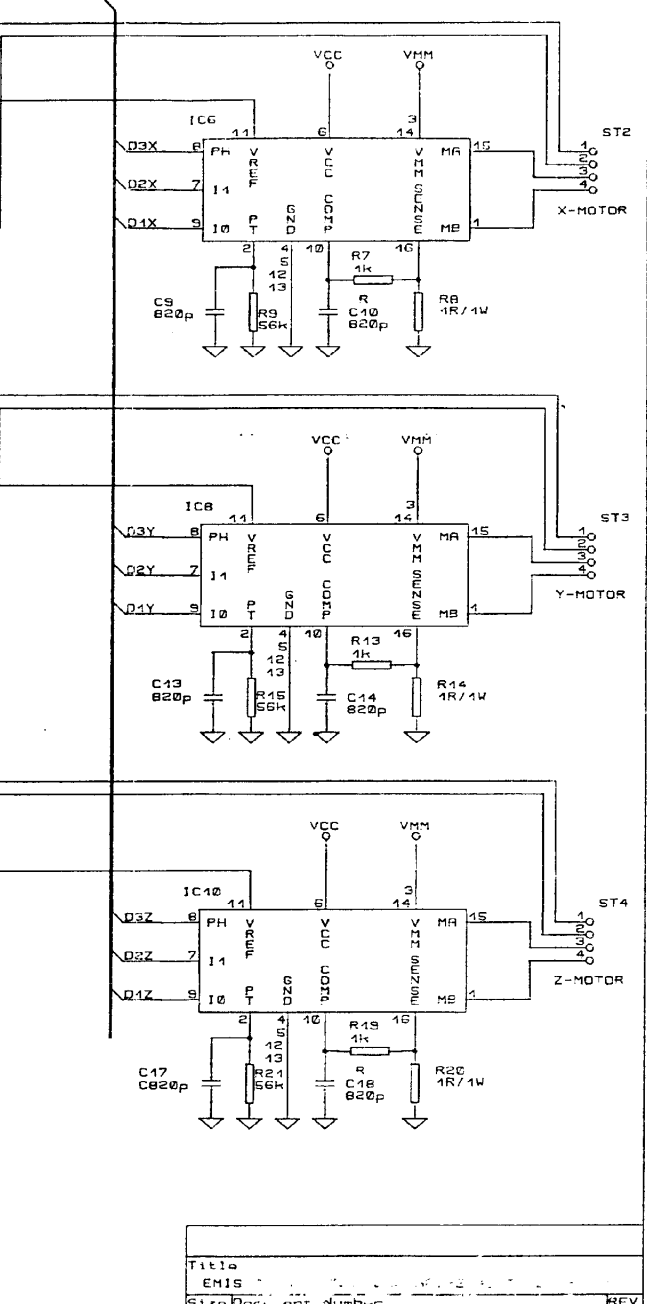
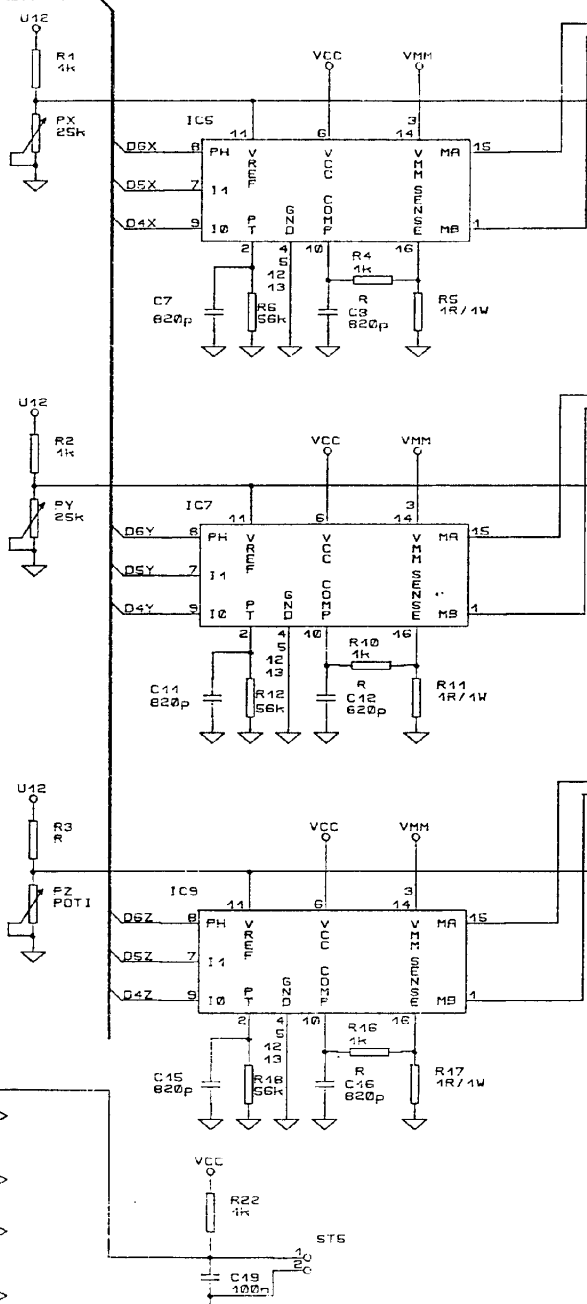
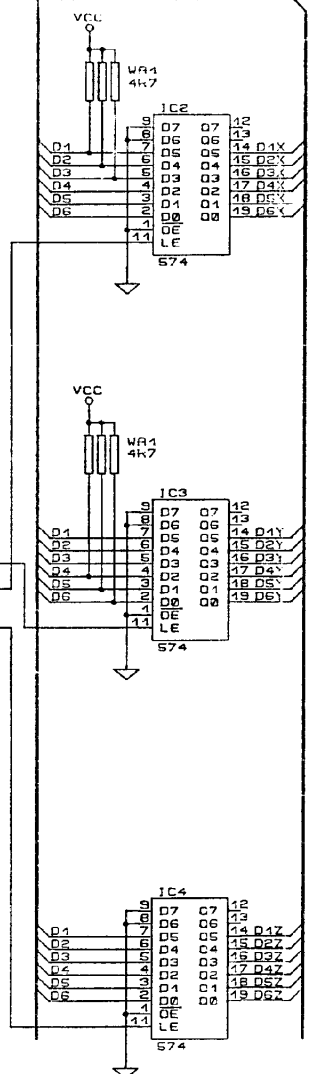
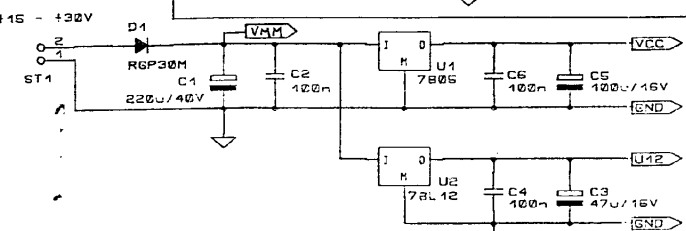
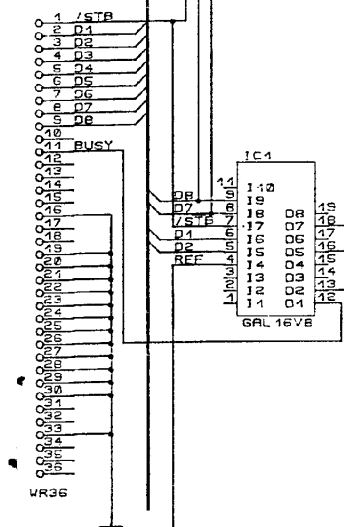


IC's unter kühlkörper

Typ PBL 377A = TEA 377
(per Sp bei EMS)



CENTRONICS



Title	EMIS	REV
Size	Part. ent Number	REV
A	SMC 800	001
Date:	May 13, 1992	Sheet 1 of 1